



**SP-6EX  
OWNER'S MANUAL**

## **Overview:**

Congratulations and thank you for your purchase of URC's architectural in-ceiling speakers. You have embarked on a listening and style experience that brings enjoyment to your home for years to come. The following instructions provide detailed procedures for expert installation of URC's architectural speaker systems for maximum performance.

URC's architectural speakers have been carefully crafted for easy installation in a variety of residential applications. By following this step-by-step process you will soon enjoy the signature sound that is the hallmark of all URC's architectural audio products.

## **Preliminary Inspection:**

Your URC's architectural speakers left our factory after rigorous manufacturing process control and final quality inspection. Carefully unpack your new speakers and inspect for any damage that may have occurred during shipment or subsequent handling.

For best performance, we recommend you use at least 18 gauge speaker wire. For new home construction, wiring will generally be done prior to the installation of wall board and should already be in the desired location. For installation into existing construction we recommend you consult an expert installer. Be sure to pull wires by the most expedient and efficient route.

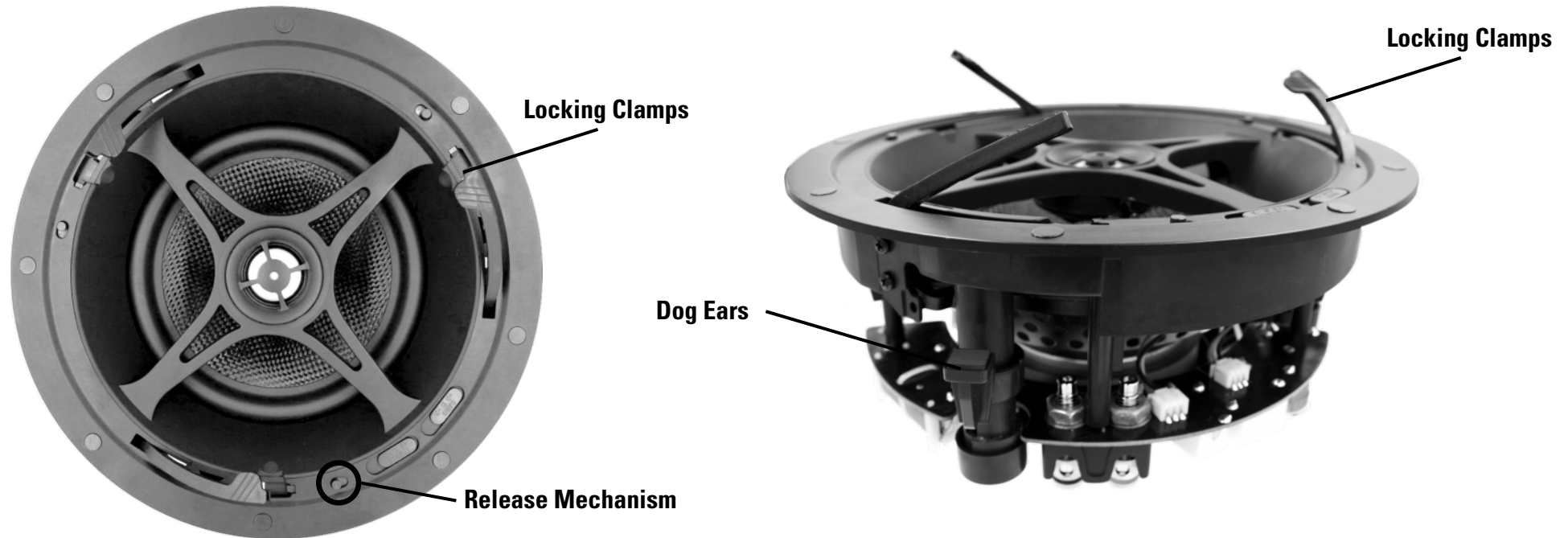
We have tried to make our installation guide as easy to follow as possible.

Please take a little time to become familiar with the contents to avoid unforeseen and irritating mistakes.



## **Clamp Design:**

The SP-6EX speakers use a clamping lock mechanism that makes installing them into any ceiling quick and easy.

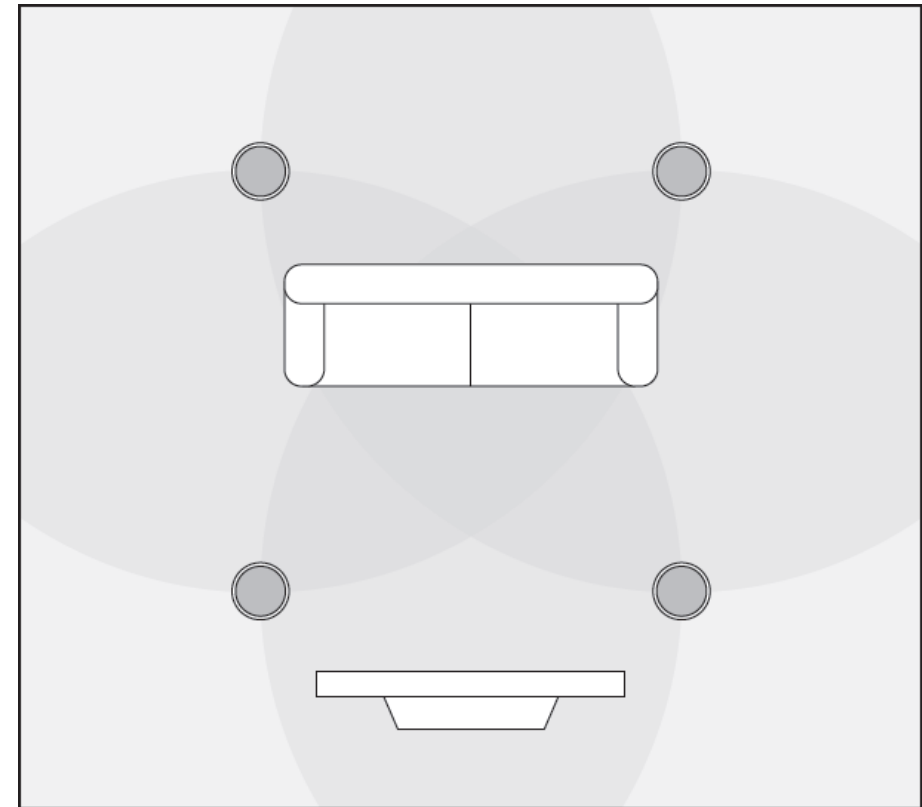


**Optimum Speaker Location:**

Depending on room size it is best to place speakers approximately 12' from one another. Proper spacing improves sound imaging. Consider the room environment and furniture placement while selecting your primary listening area.

**Note:** Before installing your speakers, make note of the locations of lighting fixtures, electrical wiring, plumbing, HVAC ducting, or any other possible obstructions.

After you have selected the best speaker locations, locate the framing studs or ceiling joists. This is to avoid obstructions when making your speaker cut-outs. Each URC's architectural in-ceiling speaker includes a cut-out template with an outline of the exact hole size. Make a small hole near the center of your cut-out template. Check for any possible interference before making the complete cut-out. If you find no obstructions, cut out the entire speaker hole and check for insulation. If there is no insulation above your speaker cut-out, we recommend placing a square of Dacron or fiberglass dampening material above the speaker hole. Make sure any foil or paper backing is facing away from the rear of the speaker.



Typical Room Layout

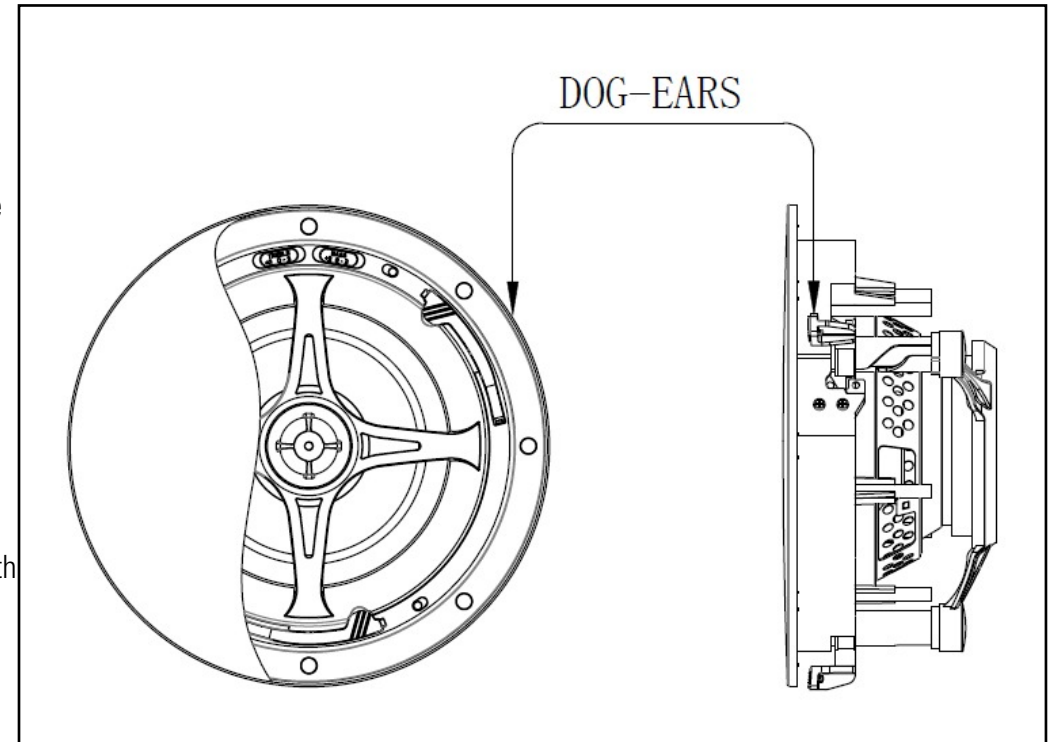
**Final Installation:**

Confirm that connecting wires are present at the speaker locations you've chosen. You're now ready for the final installation.

It is usually best to turn the speaker over (grill down) and securely hold the outer flange for support. Then return the dog ears to their previous position so they are tight against the frame and won't interfere when pushing the speaker into the cut-out.

Make sure the dog ears are flush against the speaker frame so they will clear when pushing the speaker into the cut-out hole and connecting the removable speaker plugs. Hold the speaker securely near the cut-out hole and connect the positive and negative wires, making sure to observe polarity – usually wiring will correspond in color to the push terminals, red to red (+) and black to black (-).

When the connecting wires are secure, push the speaker into the cut-out until flush with the ceiling surface, push the clamps down to tighten the dog ears to the ceiling. For further instruction, refer to [page 6](#). This will automatically rotate the dog ears away from the frame and pulls them to the rear of the mounting surface.



## **Painting & Cosmetics:**

Always remove the speaker grill from the baffle for painting. It is best to paint the grill when uninstalled to avoid excess paint in the perforated holes. Always remove the (Dacron) scrim cloth before painting the grill. The (Dacron) scrim cloth inside the grill is treated with a light adhesive for easy removal and replacement. Carefully peel it away and replace it when your painted surface is fully dried.

## **Basic Level Control Adjustment:**

URC's architectural in-ceiling speaker models include individual woofer and tweeter SPL (volume) controls so you can adjust the balance of low and high frequencies to best suit your individual listening area. We recommend setting the tweeter levels first and then match them with the desired bass output.

If you are connecting more than one pair of speakers to your amplifier, we suggest using the lower bass SPL position until you confirm your amplifier can handle the additional power requirement.

## **High Frequency Adjustment:**

Since high frequencies are directional, almost all URC's architectural in-ceiling speaker models are equipped with adjustable, pivoting tweeters. While taking care not to touch the tweeter domes, rotate the tweeter toward the primary listening area.

Once you have the tweeters positioned and speaker volume adjusted to your preference, replace the grill securely so it is flush with the surrounding trim ring and enjoy!

## **Mission Statement:**

All URC's architectural speakers are designed with the latest acoustic and cosmetic innovations. It is our policy to continually improve performance, mechanical function and cosmetics and we reserve the right to change specifications to incorporate the latest improvements at our discretion.



**Installation Instructions:**

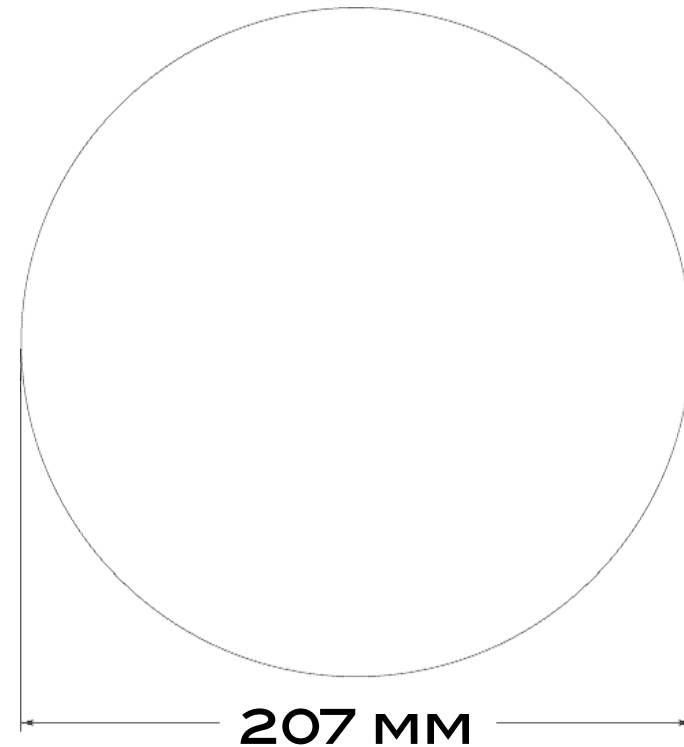
Prior to installing URC architectural speakers, assure that speaker wire has been run from the equipment or volume control location to each potential speaker location:

1. Determine and **select a location** for each speaker.

**Location Considerations:**

Choose a location for each speaker that is free of any obstructions created by joists, HVAC ductwork, electrical wire runs, plumbing or anything else that might not allow for the depth of the speaker or create interference or noise.

2. Mark the hole to cut out for the speaker using the **supplied template**. If installing speakers near a side wall, remember to allow for the size of the speaker bezel.

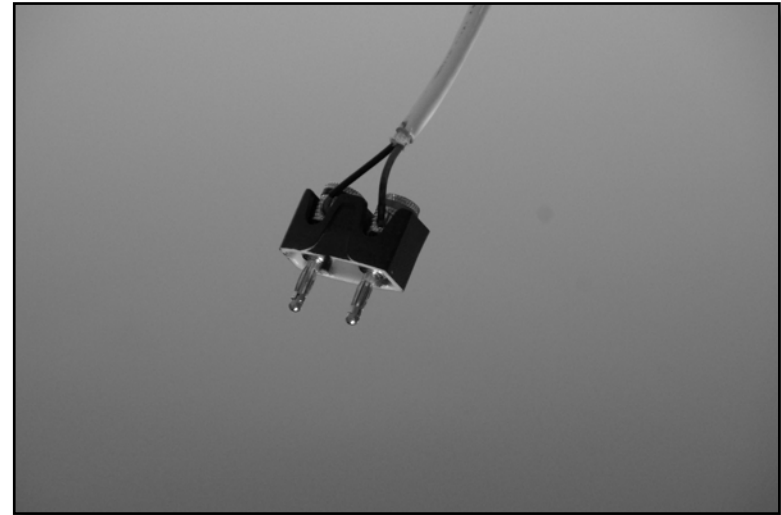
**Template Diameter:**



- Strip the insulation on each speaker wire approximately  $\frac{1}{4}$ " -  $\frac{1}{2}$ " and insert into the banana plug speaker terminal .

Confirm that the **positive (+)** and **negative (-)** lines are connected to the appropriate location.

Assure that there are no loose wires protruding from the terminal.



- Insert the banana plug connector to the speaker, observe proper polarity of each banana plug (positive & negative).





5. **Insert** the speaker into the ceiling.



6. **Push the clamps** into the speaker. This tightens the dog ears ([page 2](#)) and locks the speaker in place.



**Removing the Speakers:**

The clamp mechanism makes removing these speakers simple:

1. Locate the **Release Switch** on the front of the speaker, each clamp has a Release Switch.
2. Flip down the **Release Switch** associated to each clamp. Then pull the clamp away from the speaker, this pushes the dog ears away from the ceiling loosening the speaker.
3. Carefully remove the speaker from the ceiling and remove the banana plug connector.



## **Speaker Specifications:**

**Speaker Type:** In-ceiling, 2-way, round

**Woofers:** 6.5" woven fiber cone

**Tweeters:** 1" aluminum, swivel

**Power Handling:** 5-125 watts

**Impedance:** 8 ohms

**Frequency Response:** 45-20KHz

**Sensitivity:** 92dB

**EQ Adjustments (dB):** Tweeter & woofer -3, 0, +3

**Grill Type:** Micromesh, frame-less, magnetic, steel grill

**Finish Dimensions:** 9.45" (240mm) diameter, 3.98" (101mm) depth

**Cutout Dimension:** 8.15" (207mm)



**Limitation of Liability:**

- A. IN NO EVENT WILL URC BE LIABLE FOR ANY DAMAGES RELATING TO THE DEALER'S OR ANY OTHER PARTY'S FAILURE TO PERFORM ITS RESPONSIBILITIES.
- B. THE LIABILITY OF URC, IF ANY, FOR DAMAGES FOR ANY CLAIMS OF ANY KIND WHATSOEVER AND REGARDLESS OF THE LEGAL THEORY WITH REGARD TO ANY ORDER PLACED BY THE DEALER HEREUNDER, REGARDLESS OF THE DELIVERY OR NON-DELIVERY OF SUCH PRODUCTS, OR WITH RESPECT TO THE PRODUCTS COVERED HEREBY, SHALL NOT BE GREATER THAN THE ACTUAL PURCHASE PRICE OF PRODUCTS WITH RESPECT TO WHICH SUCH CLAIM IS MADE. UNDER NO CIRCUMSTANCES SHALL URC BE LIABLE TO THE DEALER FOR COMPENSATION, REIMBURSEMENT OR DAMAGE ON ACCOUNT OF THE LOSS OF PRESENT OR PROSPECTIVE PROFITS, EXPENDITURES, INVESTMENTS OR COMMITMENTS, WHETHER IN THE ESTABLISHMENT, DEVELOPMENT OR MAINTENANCE OF BUSINESS REPUTATION OR GOODWILL.
- C. IN NO EVENT WILL URC BE LIABLE FOR (I) ANY INCIDENTAL, INDIRECT, SPECIAL OR CONSEQUENTIAL DAMAGES INCLUDING LOSS OF: USE, REVENUES, PROFITS, OR SAVINGS, EVEN IF URC KNEW OR SHOULD HAVE KNOWN OF THE POSSIBILITY OF SUCH DAMAGES, OR (II) CLAIMS, DEMANDS OR ACTIONS AGAINST THE DEALER BY ANY PERSON.
- D. In no event shall URC be liable for any errors or omissions of the Dealer or any other third party.
- E. In no event shall URC be liable to any counterparty with the Dealer.
- F. In no event shall URC be liable to the end user of the Products.
- G. In no event shall URC be liable for any events beyond its control.